

LABEL PRINTER

Instruction Manual



Print Label

Android editing software
Install Password : 1234

Version March,2020

Notes on safety

This section presents important information intended to ensure safety and effective use of the printer. Please read carefully.

Notes on safety

- ▲ Be sure to use the specified battery and power source provided by our company. Connection to an improper power source may cause fire , explosion or damage to the printer.
- ▲ Please don't open the paper room cover when it is printing or just when printing is over, do not touch the print head with hand or body, overheat may cause scald.

Notes:

- Do not store the printer in hot and humid conditions.
- The printer's power adapter is to be connected to a stable power 110~220Volts, please do not use other devices on the same power socket, to avoid voltage fluctuations.
- Avoid water or conductive material (for example: metal). If water is present on the surface please turn off the power immediately.
- Please ensure that a paper roll is always inserted in the printer to avoid damaging the printing roller and the printer head.
- Please ensure that your printer is serviced and repaired by a qualified technician. No responsibility is taken for misuse and/or non-qualified servicing.
- In order to ensure print quality and longevity of your printer, please ensure that only good quality paper rolls are used.
- Please keep this manual in a safe place, where it can be accessed easily and used for your reference.

1

1.Features & Application area

- It can print 110mm width thermal paper
- High-speed,Clear printing
- It can adjust the temperature intelligently when printing, and guarantee the stable operation of the machine.
- Without paper warehouse.

Application area

Manufacturing and warehousing industry	Retail	Specimen marking
Post package industry	Shelf label	Jewelry label
Price tag	Production mark	Patient identification
Product labeling	Home office	Instruction label
Mail delivery label	Medical industry	Drug labeling

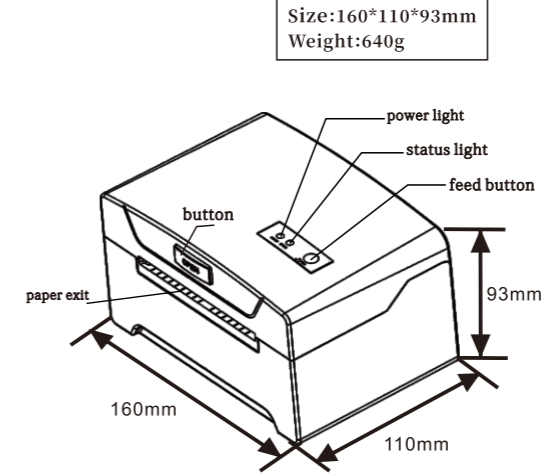
2.Specification

- PrintingMethod: Direct Line Thermal
- Speed:160mm/sec (MAX)
- Reliability TPH Life: 100000000 pulse / dot or 50km
- Resolution: 203DPI (8dot/mm)
- Inner Code: can be supported 11 types font size
- Print parameters: support to download the Logo trademark
- Print Command: TSPL command (CPCL/ESC/POS command)
- Media Sensor: Dual-media sensors: transmissive and reflective
- Communication Interface: USB +(Bluetooth/WIFI/Ethernet optional)
- Thermal paper types: continuous paper, label paper, folded paper, tag paper
- Effective print width: 100mm (Max 800 points)
- Available maximum paper width: 110 ± 0.5mm
- Print paper thickness: 0.06-0.30 mm
- Charging method: external charger DC 24V/2.5A
- One-dimensional code: UPC-A/ UPC-E / JAN13 (EAN13) / JAN8 (EAN8) / CODE39 / ITF / CODABAR / CODE93 / CODE128
- QR code: QR CODE, PDF417
- Driver: Win2003 / WinXP / Win7 / WIN8 / WIN10 / MACOS
- Handheld: Support IOS / Android
- Operating temperature: +0 °C ~ 50 °C (no condensation allowed)
- Working humidity: 20% ~ 85% RH (no condensation allowed)
- Storage temperature: -20 °C ~ 60 °C (no condensation allowed)
- Storage humidity: 5% ~ 95% RH (no condensation allowed)
- Mechanical noise: less than 60dB (A weighted RMS)

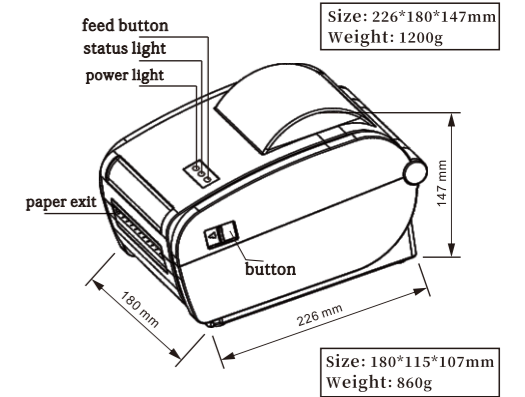
2

3.Appearance

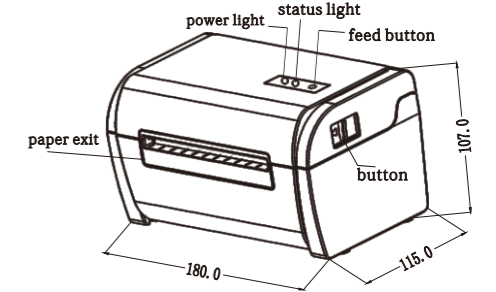
⚠ Note: Interfaces varies by customer choice, the interface shown below is for reference only.



3



4

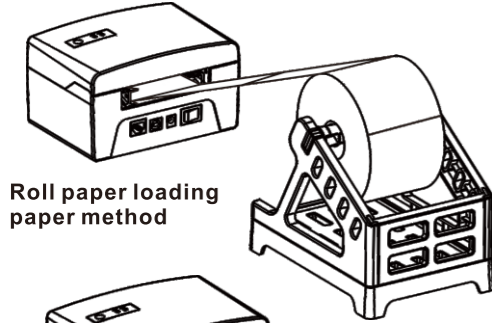


4. The installation of the paper roll

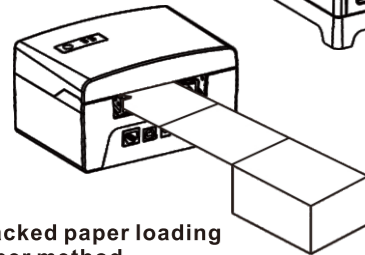
The printer use thermal label paper, and adopt to easy paper loading. So the paper is very convenient install. And also support printing of various paper specifications.

Thermal paper installation method is as follows:

- (1) Open the printer top cover
- (2) Thermal Paper as follow Graph to put into paper storehouse
- (3) Put out a little of the paper outside printer,then close the top cover.



Roll paper loading paper method



Stacked paper loading paper method

5

Instruction of LED and Buttons :

ERROR (RED light)	POWER (BLUE light)	PRINTER STATUS
OFF	OFF	PRINTER OFF
OFF	OFF/DISPLAYON	PRINTER IS ON AND HAVE PAPER
Flash	OFF/DISPLAYON	PRINTER IS ON AND NO PAPER
Press the power button about 3S		Printer power ON/OFF
When printer power on, press the FEED button		Paper out / Label positioning detection
Hold down the FEED button in the shutdown state, and then press and hold the POWER button to power on, when you see the "ERROR" Red right is ON, then release the FEED button.		Printer self-test page
Hold down the FEED button in the shutdown state, and then press and hold the POWER button to power on, when you see the "ERROR" Red right is ON and OFF, then release the FEED button.		HEX mode (press FEED button two times to exit HEX mode)
Hold down the FEED button in the shutdown state, and then press and hold the POWER button to power on, when you see the "ERROR" Red right is ON-OFF-ON then release the FEED button.		Switch the command between TSPL,CPCL and ESC/POS

5. Printer Driver Installation

Note: A printing software is required to be used with this driver
Each machine has a factory equipped with a CD, open the CD and find the label printer driver - WINDOWS, then click it to install the driver.

- The label printer driver is beginning to be installed.The first step are as below:

6

6.The Bluetooth configuration

Step1: Make sure your device (like PC, Note Book) has Bluetooth function, then once the Bluetooth for your device is activated, you will see the Bluetooth sign shown in the right bottom side of your device (like PC) screen.



Step2: Power on the Bluetooth printer.

Step3: To add the Bluetooth printer, please left-click the Bluetooth icon, click "Add a Bluetooth Device", then you will enter wizard screen, please choose "My device is set up according and ready to be found" click "Next" (shown as below).

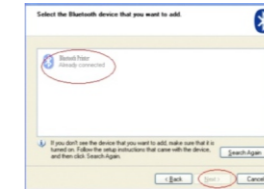


7

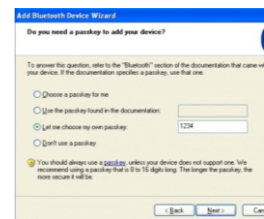
Step4: if you can see screen as below, then the device is searching the bluetooth printer, please wait.



Step5: Once the Bluetooth printer is found. You can see it listed on the screen, click "Next"



Step6: Choose "Let me choose my own passkey", then enter "1234" (this is factory default passkey, if you want to change it, you have to inform us to set the new passkey for you in our factory before shipping), then click "Next".



8

Step7: if you can see the screen as below, that means the Bluetooth printer is already connected. Please notice the assigned COM ports, then Click "Finish".



(Note: The Bluetooth device will automatically assign a COM port.)

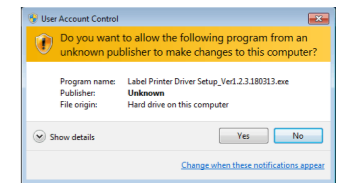
Step8: Open the printer drive "Properties", select the COM port what assigned to your device (just as above image shown: COM5), and the com port should be setting the corresponding baud rate as Bluetooth serial port.

(FACTORY DEFAULT Baud Rate is 115200, N, 8, 1.)

7.How to use Printer Driver Installation

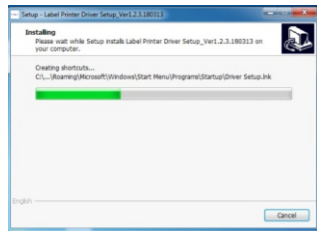
Note: A printing software is required to be used with this driver
Each machine has a factory equipped with a CD, open the CD and find the label printer driver - WINDOWS, then click it to install the driver.

- The label printer driver is beginning to be installed.The first step are as below:

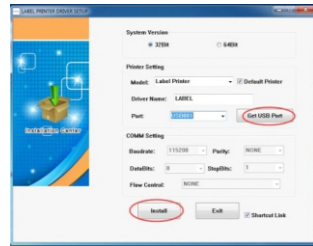


9

2. Please read the related terms carefully, and install it as agreed as below, then click "Next"

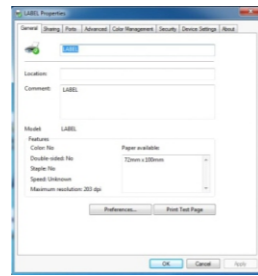


3. If the printer is USB interface, click the "Get USB Port" to automatically identify the USB port, other interfaces, click "Install Driver"



4. If Label printer driver installation is successful, it will automatically pop up printer properties interface as shown below:

10



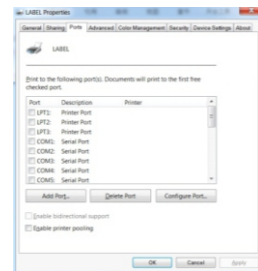
Click "Print Test Page", if the printer prints a normal page, it indicates that the installation was successful.

Note: If the printer prompts "Printing Error", return to the "Port" option, select USB0001, or USB002, or USB003... and test it again.

5. How to use the LAN port of printer

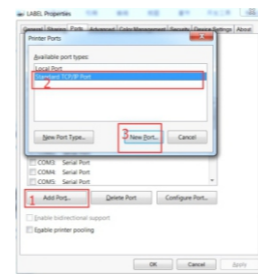
Get the local IP address from Self-test page. The method of printing Self-test page: Hold down the FEED button in the shutdown state, and then press and hold the POWER button to power on, when you see the "ERROR" Red light is ON, then release the FEED button. You can get the IP address from the self-test page (Default IP address: 192.168.1.100)

5.1 Open the printer properties interface and select "port", as shown in the figure below:

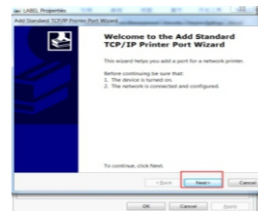


11

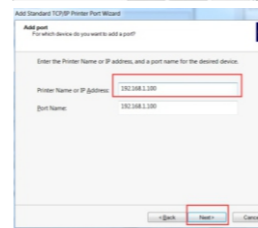
5.2 Select "Add Port", as shown below:



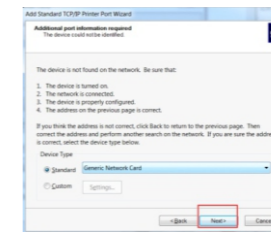
5.3 Select "Next", show as below:



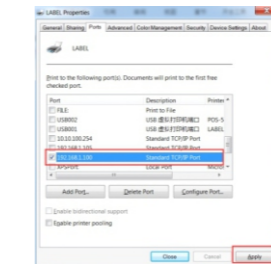
12



5.4 Select Standard "Generic Network Card" and Next:

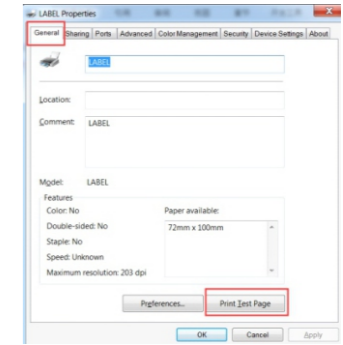


5.5 After "Finish", and then click "Apply":



13

5.6 You can click the "Print Test Page" to have a test:



If the printer prints a normal page, that means the LAN port can be used normally.

Note: if you need to modify the printer IP, you can refer to "CD" -- "tools" -- "Printer setting tools" file inside the IP setting method to set up; if it is a WIFI interface, you can refer to "CD" -- "tools" -- "WIFI setting tools" for relevant Settings.

8. Label Editing Software For Windows system

Open the CD with the CD-ROM drive, find the label editing software, and click Install.

14

9. Label Editing Software For Android&IOS systems

► Please make sure the printer can be supported Bluetooth connected.

9.1 If the connected device is Android system, please scan below QR code to download the Android editing software "Print Label":



Print Label
Android editing software
Install Password : 1234

9.2 If the connected device is IOS system, please scan below QR code or go to App Store to download the IOS editing software "Print Label":



Print Label
IOS editing software

15

10. How to clean the printer head

Printer Cleaning:

When the printer has the following conditions, you should clean the printer head:

1. The printer does not print clearly and the thermal paper is OK.
2. The printer Print pages lengthways is not clear
3. It's getting too noisy while feeding paper or printing.

Printer head cleaning steps are as follows:

1. Power off the printer and open the paper room cover. Remove the thermal paper roll.
2. If the printer just finished printing, please wait for the print head to cool down.
3. With a soft cotton cloth dipped in ethanol (please make sure there is no dripping), wipe the thermal printer head gently and remove any dust or stains.
4. Wait for the complete evaporation of any ethanol, then place the thermal paper roll back in the printer and close the paper room cover, then print a test page.

Notes :

1. When the printer maintenance must ensure that the power is shut down
2. Hands or other metal tools away from the surface of the printer head, do not use tweezers to scratch the surface of the printer head and other sensitive parts.
3. Do not use gasoline, acetone and other organic solvents for printer head cleaning.

16

17

18

19